

# MAZDA Genuine Part : COVER ASSY-TONNEAU

## Instruction Manual

Applied Vehicle Type: MAZDA5  
Part Number: C513 V1 350

Thank you for choosing MAZDA Genuine Part.


Please read the Instruction Manual carefully before installation.

In order to maximize performance of the part, please read the Instruction Manual carefully to understand the installation procedure.

### < Safety Precautions >

- Please observe the following safety precautions carefully before handling.

 **Caution** : Improper handling may pose the risk of death or serious injury.

 **Warning** : Improper handling may pose the risk of accident, injury, or damage to the vehicle.

- Do not install/use the part for any other purpose.
- Do not install the part after modification.
- For more information about installation, please contact Mazda Distributor.
- Mazda takes no responsibility for any nonconformity as a result of improper use.
- Please pay extra attention not to lose, damage, or oil-stain disinstalled parts.

#### **For distributor:**

- Please give the Instruction Manual to the customer after installing the part.

#### **For customers:**

- After reading, please keep the Instruction Manual for it may be needed when installing other parts.
- In case you hand out the part to other customer, please also give the Instruction Manual.

## Brief Installation

### COVER ASSY-TONNEAU

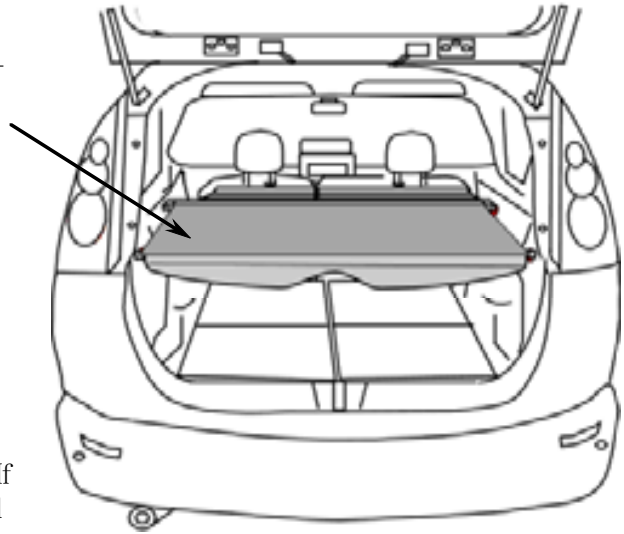
Covers luggage in the trunk.

#### ⚠ Caution

Do not place luggage on tonneau cover. Luggage on tonneau cover may travel after sudden brake and may cause an accident.

#### ⚠ Caution

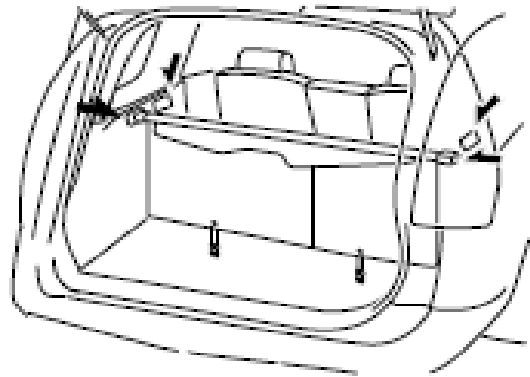
Please make sure tonneau cover is fixed firmly. If cover is not fixed, it may abruptly be detached while driving and may cause injury.



## Installation Procedure 1.Preparation

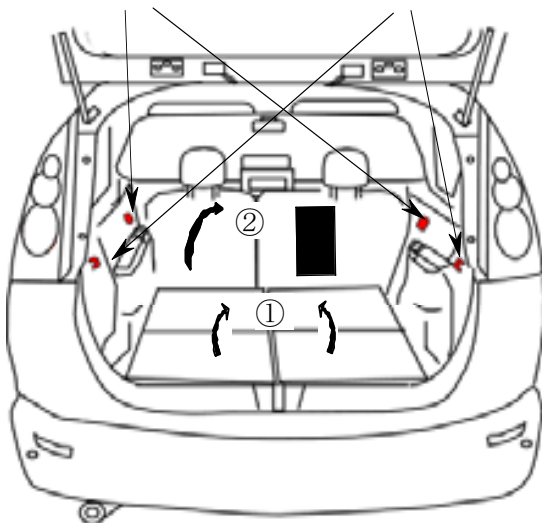
### <Note>

The luggage compartment cover can be set in two positions depending on the rear seat recline position or the quantity of luggage.

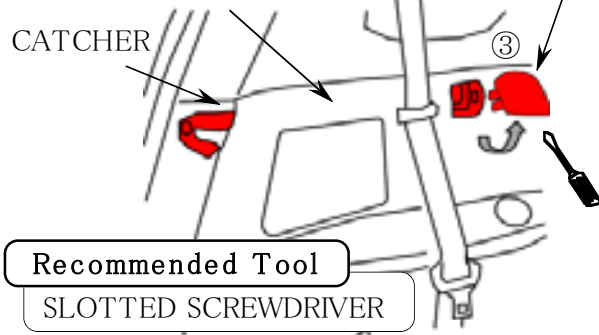


- ① Recline backrest of the third seat forward.
- ② Adjust Backrest of the second seat (by sliding or reclining) so it is located forward of tonneaucover cap.
- ③ Detach tonneau cover cap from trunk side trim using sharp end of the slotted screw-driver.

TONNEAU COVER CAP CATCHER



TRIM, TRUNK-SIDE TONNEAU COVER CAP



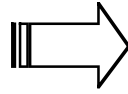
### Recommended Tool

SLOTTED SCREWDRIVER

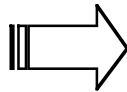
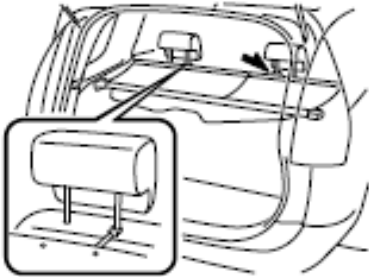
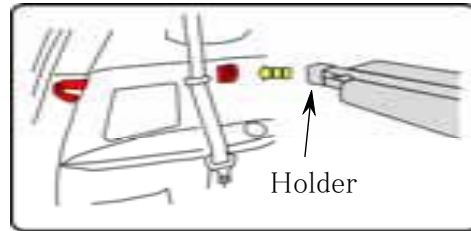
#### ⚠ Caution

1. Pay attention not to scratch vehicle parts when detaching the cap.
2. Do not lose disinstalled covers.

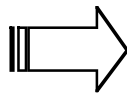
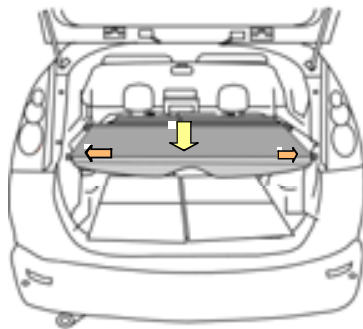
## Installation Procedure 2.Installation



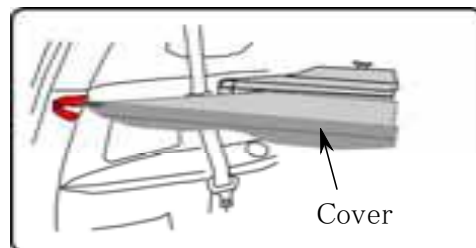
① Insert the holder into the concavity.



② Attach the clips to the head restraint.



③ Slowly pull out the cover and the edge into the hook on each side.



## Installation Procedure 3.Disinstallation

- ① Detach cover from each hook and let it rewind.
- ② Press holder against either edge and detach the other edge from concavity.

### Caution

- ① Rewind tonneau cover before disinstallation.
- ② Slowly stretch or rewind the cover with your hand on the edge.
- ③ Slowly lift the board with your hand when attach or detach tonneau cover from catcher.
- ④ Insert the seat belt into holder when stretching tonneau cover.
- ⑤ Use only mild detergent. Do not solvent medium such as thinner or benzine.

# Installation Check Sheet

<For dealer use>  
 Tonneau Cover for MAZDA5  
 C513 V1 350

| Check Items  | Yes/No |
|--|--------|
| Are disassembled parts (tonneau cover cap etc.) stored in vehicle?   |        |
| No damage or stain around installed part?  |        |
| Is tonneau cover activated normally?<br>(stretch and storage of tonneau cover/stretch of casing holder)<br>No wrinkle or surface waviness?                                     |        |
| <For 5 Seater><br>Is rear seat activated normally?<br>(slide, and recline)<br><For 7 Seater><br>Are the second and the third seats activated normally?<br>(slide, and recline) |        |

|                                    |       |           |
|------------------------------------|-------|-----------|
| Installation Check of TonneauCover |       |           |
| Date                               |       |           |
| Vehicle No.                        |       |           |
| Manager                            | Chief | Installed |
|                                    |       |           |

※ Please retain this manual at least for three years.